

1

2

3

4

5

6

RevNo

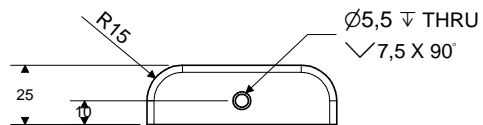
Revision note

Date

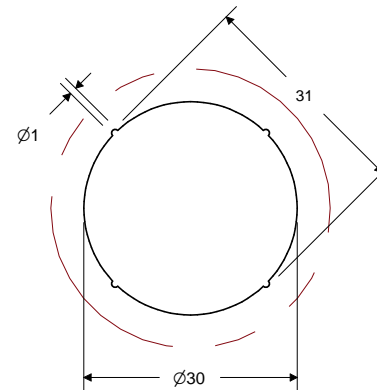
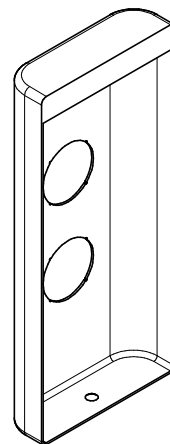
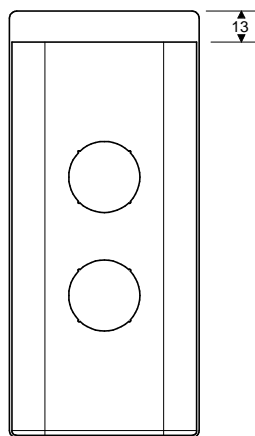
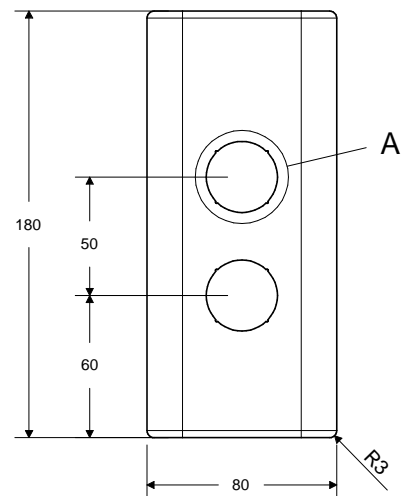
Signature

Checked

A




B



Detail A

C

D

Itemref	Quantity	Title/Name, designation, material, dimension etc			Article No./Reference		
Drawn by ABB	Checked by	Approved by - date	File name	Date 20100419	Scale		
 HISSELEKTRONIK						Edition	Sheet

1

2

3

6