



1

2

3

4

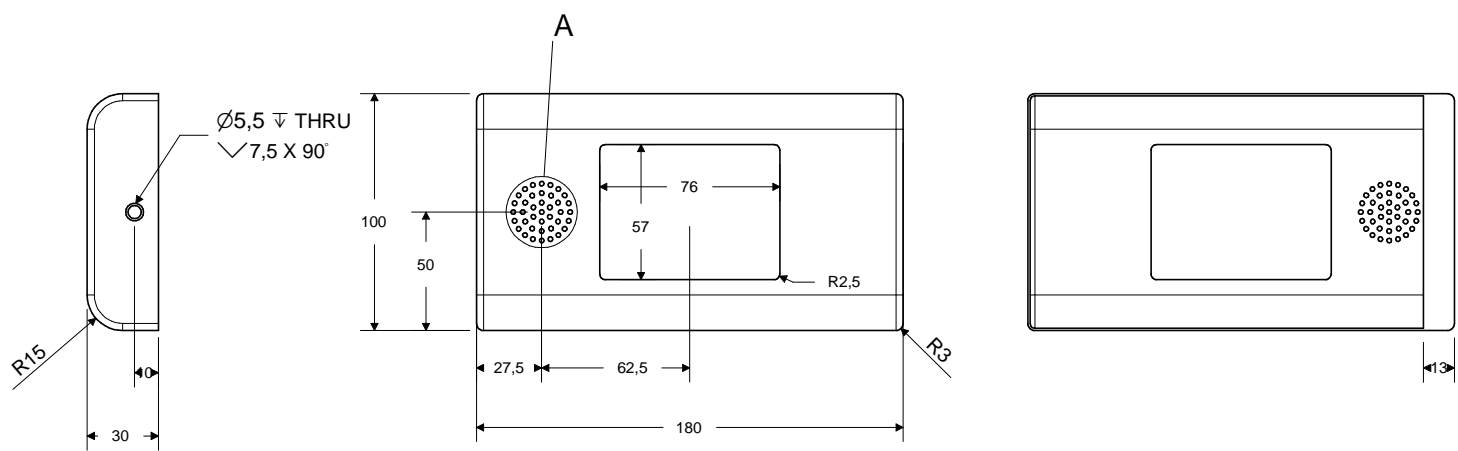
5

6

RevNo	Revision note	Date	Signature	Checked
-------	---------------	------	-----------	---------

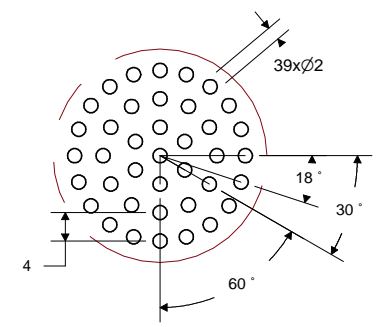
A

A

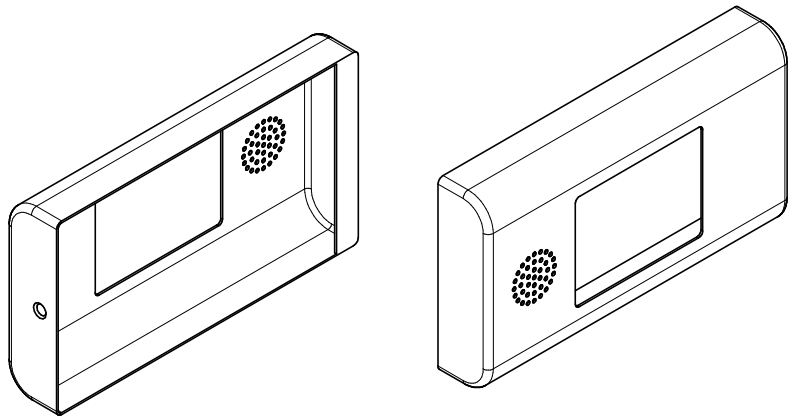


B

B



Detail A



C

C

D

D

Itemref	Quantity	Title/Name, designation, material, dimension etc			Article No./Reference		
Drawn by ABB	Checked by	Approved by - date	File name	Date 20100419	Scale		
						Edition	Sheet

1

2

3

6