

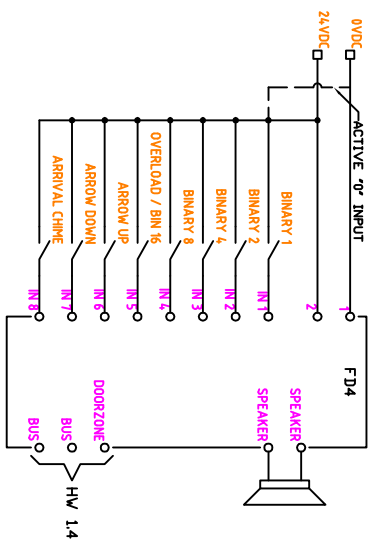
CAD DWG FILE

NO.	DATE	REVISION	BY

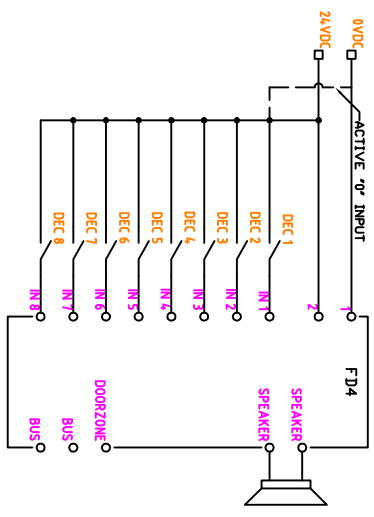
ENGINEER: **MD**
 CHECKED BY: **MD**
 DRAWN BY: **MD**
 DATE: **2005285**
 DWG NO: **FD4_4**
 SHEET NO: **1**

HISSELEKTRONIK

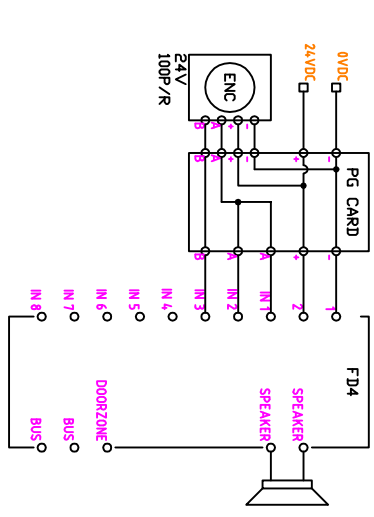
FUNCTION 0 DEFAULT
(VV4/FD4)



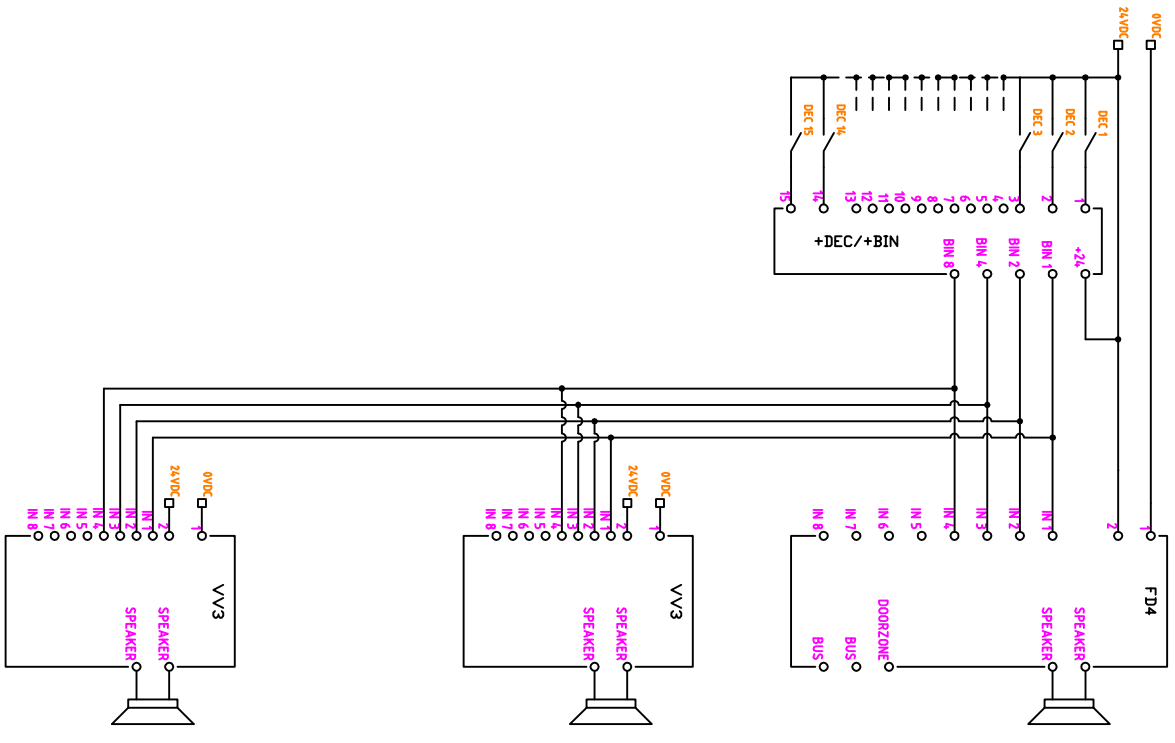
FUNCTION 1 DECIMAL WIRING
(VV4/FD4)



FUNCTION 4
PG WIRING (VV4 SV 304/FD4)



FUNCTION 2
PARALLEL WITH DECODER CARD AND VV3
(VV4/FD4)



CAD DWG FILE
SHEET NO. 1

ENGINEER	NO	CHECKED BY	
DESIGN NO.	FD4	DATE	
DWG NO.	VV4	BY	
	WIRING 2		



