

SECTION A-A

Specification of light curtain

Model	174/A1	194/A1
Number of diodes	36	40
Maximum beams	174 beams	194 beams
Distance between diodes	45.7mm	45.7mm
Response Time (Relay)	< 80ms	< 90ms
Size	10mmX24mmX2000mm	
Highest beam	≥ 1610mm	≥ 1810mm
Lowest beam	≤ 20mm	≤ 20mm
Detecting distance	0~3.5m	0~3.5m
Operating temperature range	-20°C~+65°C	
IP Rating	IP54	
Light immunity	Not less than 100,000LUX	
EMC compliance	Emissions to EN12015, Immunity to EN12016	
Model P220-EU	185-300V AC 0.05A 50/60HZ	
Power rating	≤ 4W	
Vibration test	Random vibration 20 to 500Hz 4hrs per axis Sinusoidal vibration 30Hz 30mins per axis	
Indicator light function	Indicator lights in TX, RX, and power supply unit can indicate working status	
Self-test mode	Periodic self-testing. In case of power failure or self testing faulty, self test output COM-ST and NC-ST will OPEN.	

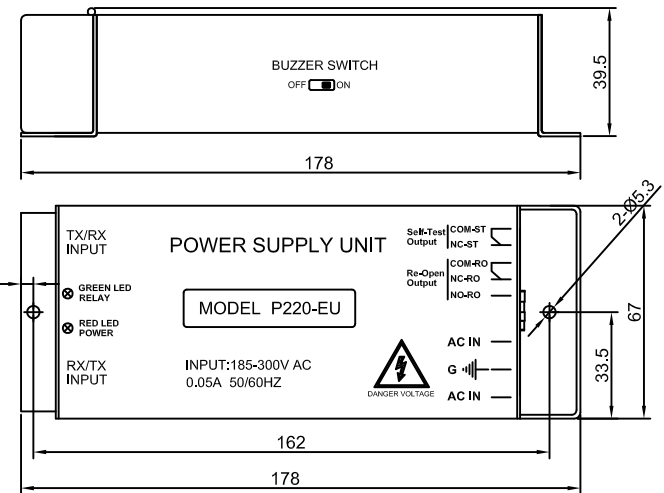
System self-testing items description:

1. Single Chip internal RAM, ROM
2. Infrared signal amplifier Circuits
3. Output signals and communication signals
4. Feedbacks of conventional output relay and self-test output relay

In case the system detects above mentioned faulty points, conventional output relay and self-test output relay will OPEN automatically.

Specification of power supply unit

Model	P220-EU
Size	178mm(L)X67mm(W)X39.5mm(H)
Voltages input	185-300V AC 0.05A 50/60HZ
Power consumption	4VA
Case material	Steel and Aluminium
Relay contact type	COM,1NO,1NC
Relay contact rating	125V AC 1A or 30V DC 2A
LED indication	Red LED indicates power status GREEN LED indicates working status of conventional output and self-test output. GREEN light will be flashing in case of self-test faulty.
Buzzer switch(optional)	Put ON/OFF buzzer by the switch on side of case
EMC compliance	Comply with EN12015,EN12016



Remarks: Power supply unit includes three groups of outputs:

1. Self test output : COM-ST and NC-ST are applied to self-test output. Output CLOSE in case of power on and self testing normal; Output OPEN in case of power off or self testing faulty, which has nothing to do with whether beams are interrupted or not.
2. Conventional output: COM-RO and NC-RO are applied to beams interruption. Output CLOSE in case of no beams interrupted; Output OPEN in case of power off or beams interrupted. COM-RO and NO-RO are applied to beams interruption. Output OPEN in case of no beams interrupted; Output CLOSE in case of power off or beams interrupted.

				4	Receiver edge	
				3	Emitter edge	
				2	CABLE	
				1	POWER SUPPLY	
No.	DATE	REVISION	BY	No.	DWG No.	Item Name

Drn by	Checked by	Approved by - date	Date	
		174/A1 194/A1		
		5023-3		Edition A/0
				Sheet NO. 01 OF 01