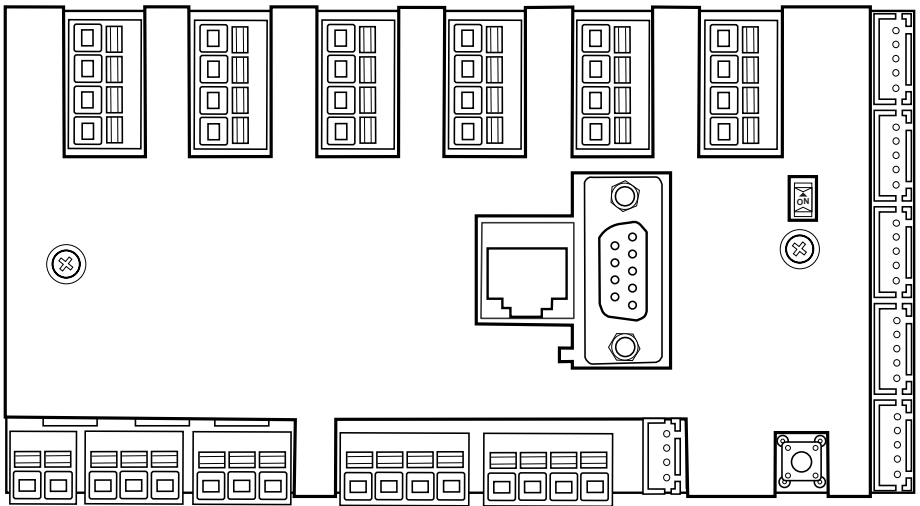


LXC/LXC mini manual



Technical data

LXC

Power:	Supply voltage: 19-28 VDC
Current requirements:	1 A at 24 VDC, where 120 mA powers the PCB.
Size:	150 x 80 x 43 mm (L x W x H)
Inputs:	16 x 24 VDC optically isolated.
I/O's:	8 x 24 VDC, short circuit protected, max 200 mA per I/O.
Relay outputs:	K1 - N/O contact, max 250 VAC/5 A. K2-3 - Changeover contact, max 250 VAC/5 A. K4-7 - N/O contact, solid state relay, max 24 VDC/200 mA.

LXC mini

Power:	Supply voltage: 19-28 VDC
Current requirements:	1 A at 24 VDC, where 120 mA powers the PCB.
Size:	118 x 50 x 43 mm (L x W x H)
Inputs:	8 x 24 VDC optically isolated.
I/O's:	4 x 24 VDC, short circuit protected, max 200 mA per I/O.
Relay outputs:	R1 - Changeover contact, max 250 VAC/5 A. R2 - N/O contact, max 250 VAC/5 A. R3 - N/O contact, solid state relay, max 24 VDC/200 mA. R4 - N/O contact, solid state relay, max 24 VDC/200 mA.

Content

General information	4
LXC	5
Components	6
LXC LED's	7
LXC mini	9
LXC mini LED's	10
Declaration of Conformity	11

General information

This unit was built with state-of-the-art technology and to generally recognised safety related technical standards currently applicable. These installation instructions are to be followed by all people working with the unit, in both installation and maintenance.

It is extremely important that these installation instructions are made available at all times to the relevant technicians, engineers or servicing and maintenance personnel. The basis prerequisite for safe handling and trouble free operation of this system is a sound knowledge of the basic and special safety regulations concerning conveyor technology, and elevators in particular. The unit may only be used for its intended purpose. Note in particular that, no unauthorised changes or additions may be made inside the unit or individual components.

Exclusion of liability

The manufacturer is not liable with respect to the buyer of this product or to third parties for damage, loss, costs or work incurred as a result of accidents, misuse of the product, incorrect installation or illegal changes, repairs or additions. Claims under warranty are likewise excluded in such cases. The technical data is the latest available. The manufacturer accepts no liability arising from printing errors, mistakes or changes.

Declaration of conformity

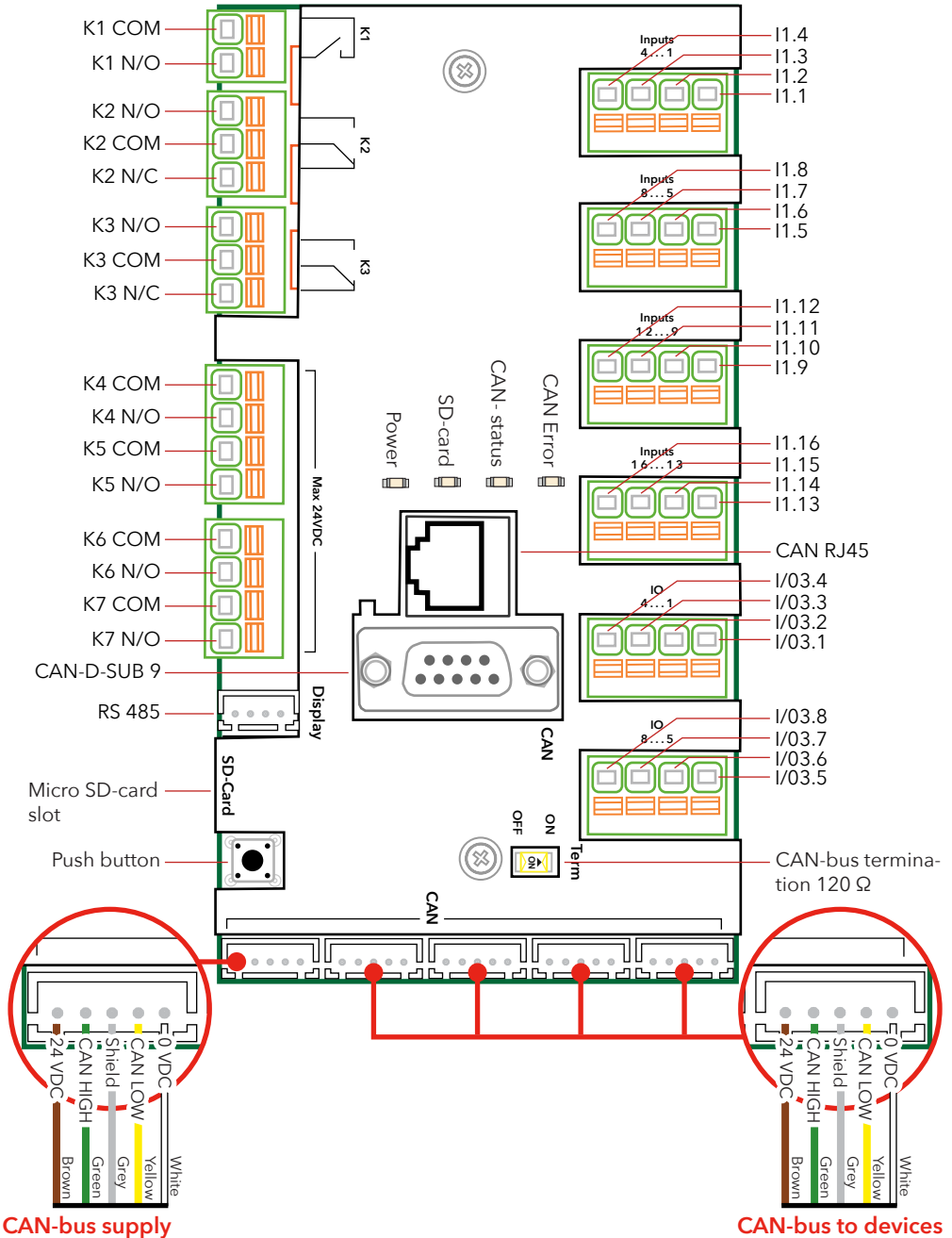
Download "The declaration of conformity" at our website: www.safeline-group.com

Safety Precautions!

- Only trained professionals, who are authorised to work on the equipment, should install and configure this product.
- This quality product is dedicated for the lift industry. It has been designed and manufactured to be used for its specified purpose only. If it is to be used for any other purpose, SafeLine must be contacted in advance.
- It should not be modified or altered in any way, and should only be installed and configured strictly following the procedures described in this manual.
- All applicable health and safety requirements and equipment standards should be considered and strictly adhered to when installing and configuring this product.
- After installation and configuration this product and the operation of the equipment should be fully tested to ensure correct operation before the equipment is returned to normal use.

Electrical and electronic products may contain materials, parts and units that can be dangerous for the environment and human health. Please inform yourself about the local rules and disposal collection system for electrical and electronic products. The correct disposal of your old product will help to prevent negative consequences for the environment and human health.





Components

SD card

The SD card is used for LXC parameter storage for un-programmed units or as a backup in case of hardware failure. All parameters can be read or cloned, even from old and failing units.

Push button

Press the button when the SD card is inserted. The parameter stored on the card will be read and used.

LXC LED's

CAN ERROR

LED	State	Description
Off	No error	The device is in working condition
Flickering	AutoBitrate/LSS	The auto-bitrate detection is in progress or LSS services are in progress (alternately flickering with run LED)
Flashing	Invalid configuration	General configuration error
Single flash	Warning limit reached	At least one of the error counters of the CAN controller has reached or exceeded the warning level (too many error frames)
Double flash	Error control event	A guard event (NMT-slave or NMT-master) or a heartbeat event (heartbeat consumer) has occurred.
Triple flash	Sync error	The sync message has not been received within the configured communication cycle period time out (see object dictionary entry 1006)
Quadruple flash	Event-timer error	An expected PDO has not been received before the event-timer elapsed.
On	Bus off	The CAN controller's bus is off

CAN Status

LED	State	Description
Flickering	AutoBitrate/LSS	The auto-bitrate detection is in progress or LSS services are in progress (alternately flickering with run LED)
Flashing	Pre-operational	The device is in state pre-operational
Single flash	Stopped	The device is in state stopped
Double flash		Reserved for further use

LXC LED's

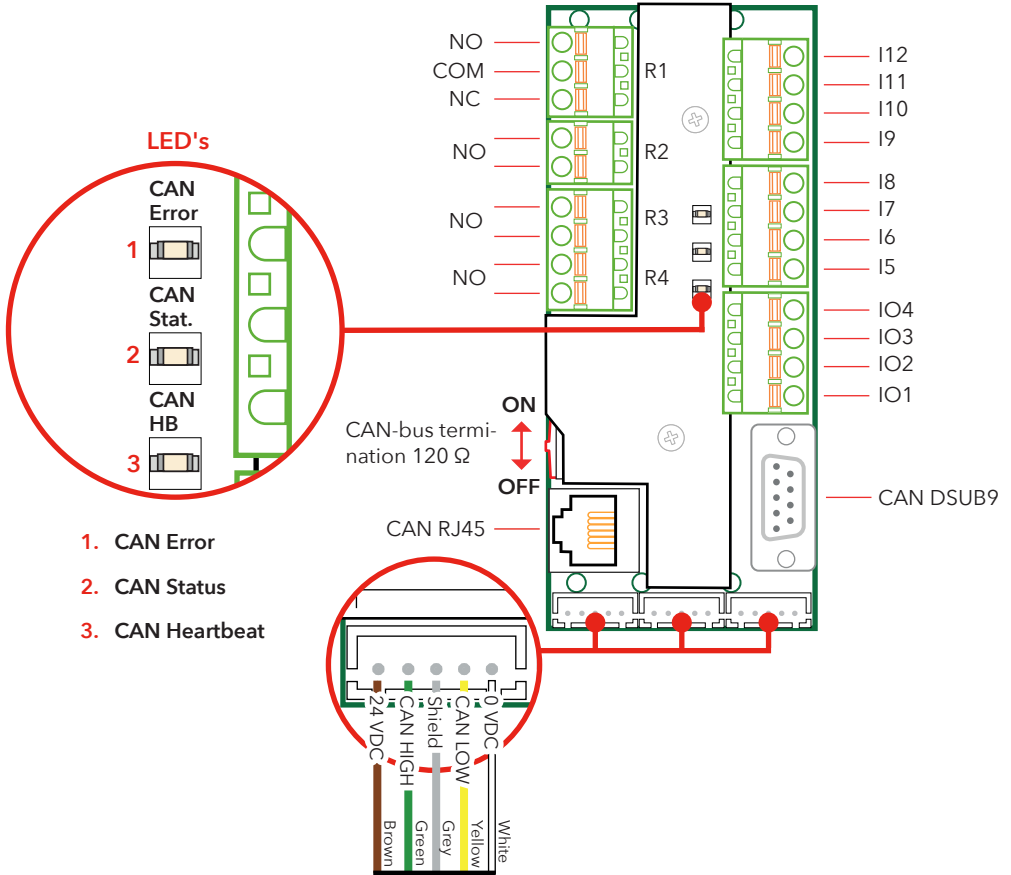
SD card

LED	Description
Off	No SD-card inserted, or card not recognized
On	Card inserted and working.
Slow flash	Communicating with card
Rapid flash	Communication error / card error

Power

LED	Description
Off	No power connected, or LXC hardware fail
On	Power connected (OK)

LXC mini



LXC mini LED's

CAN Heartbeat, yellow LED

Yellow LED flashes each time the unit sends a heartbeat to the CAN bus.

CAN Error, red LED

ERR LED	State	Description
Off	No error	The device is in working condition
Flickering	AutoBitrade/LSS	The auto-bitrate detection is in progress or LSS services are in progress (alternately flickering with run LED)
Flashing	Invalid configuration	General configuration error
Single flash	Warning limit reached	At least one of the error counters of the CAN controller has reached or exceeded the warning level (too many error frames)
Double flash	Error control event	A guard event (NMT-slave or NMT-master) or a heartbeat event (heartbeat consumer) has occurred.
Triple flash	Sync error	The sync message has not been received within the configured communication cycle period time out (see object dictionary entry 1006)
Quadruple flash	Event-timer error	An expected PDO has not been received before the event-timer elapsed.
On	Bus off	The CAN controller's bus is off

CAN Status, green LED

CAN Run LED	State	Description
Flickering	AutoBitrade/LSS	The auto-bitrate detection is in progress or LSS services are in progress (alternately flickering with run LED)
Flashing	Pre-operational	The device is in state pre-operational
Single flash	Stopped	The device is in state stopped
Double flash		Reserved for further use

EU Declaration of Conformity

Product: Lift car CPU for CANopen-Lift
Type / model: **LXC**
Article no: *LXC, *LXC-MINI, *LXC-MINI-OEM, UNIA0038
Manufacturer: SafeLine Sweden AB
Year: 2020

We herewith declare under our sole responsibility as manufacturer that the products referred to above complies with the following EC Directives:

Directives

Electro Magnetic Compatibility: 2014/30/EU
RoHS 2: 2011/65/EU

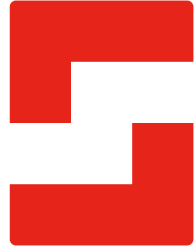
Standards applied

EN 12015:2014 EMC: Emission, Electromagnetic compatibility
EN 12016:2013 EMC/Lifts: Immunity, Electromagnetic compatibility
EN 50581:2012 RoHS: Technical doc. for assessment of restriction of RoHS.

Tyresö, 2020-02-17

Lars Gustafsson,
Technical Manager, R&D , SafeLine Group

Antennvägen 10, 13548 Tyresö, Sweden
+46 (0)8-447 79 32, www.safeline-group.com

**SafeLine Headquarters**

Antennvägen 10 · 135 48 Tyresö · Sweden
Tel.: +46 (0)8 447 79 32 · info@safeline.se
Support: +46 (0)8 448 73 90

SafeLine Denmark

Erhvervsvej 19 · 2600 Glostrup · Denmark
Tel.: +45 44 91 32 72 · info-dk@safeline.se

SafeLine Norway

Solbråveien 49 · 1383 Asker · Norway
Tel.: +47 94 14 14 49 · post@safeline.no

SafeLine Europe

Industrierrein 1-8 · 3290 Diest · Belgium
Tel.: +32 (0)13 664 662 · info@safeline.eu
Support: +32 (0)4 85 89 08 95

SafeLine Deutschland GmbH

Kurzwannstraße 3 · D-68526 Ladenburg · Germany
Tel.: +49 (0) 6203 840 60 03 · sld@safeline.eu

SafeLine Group UK

Unit 47 · Acorn Industrial Park · Crayford ·
Kent · DA1 4AL · United Kingdom
Tel.: +44 (0) 1322 52 13 96 · info@safeline-group.uk

SafeLine is a registered trademark of SafeLine Sweden AB. All other trademarks, service marks, registered trademarks, or registered service marks are the property of their respective owners.